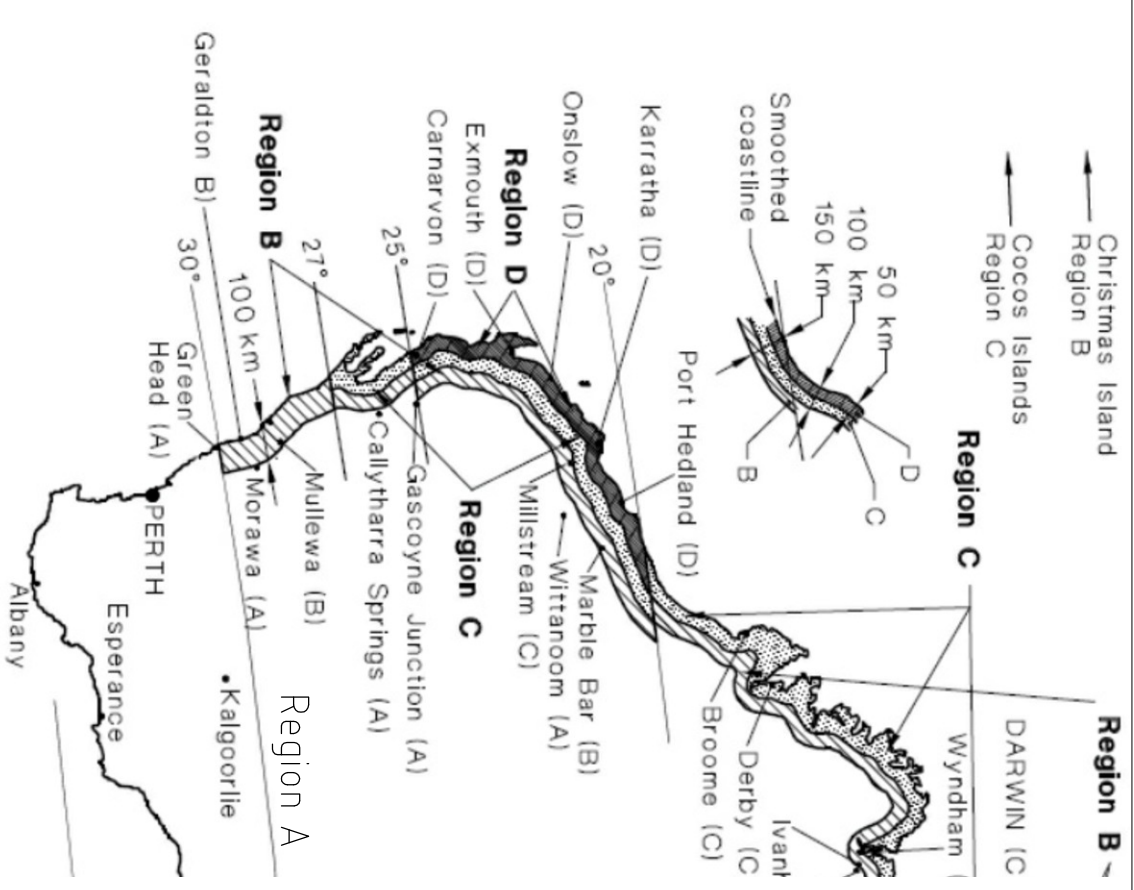
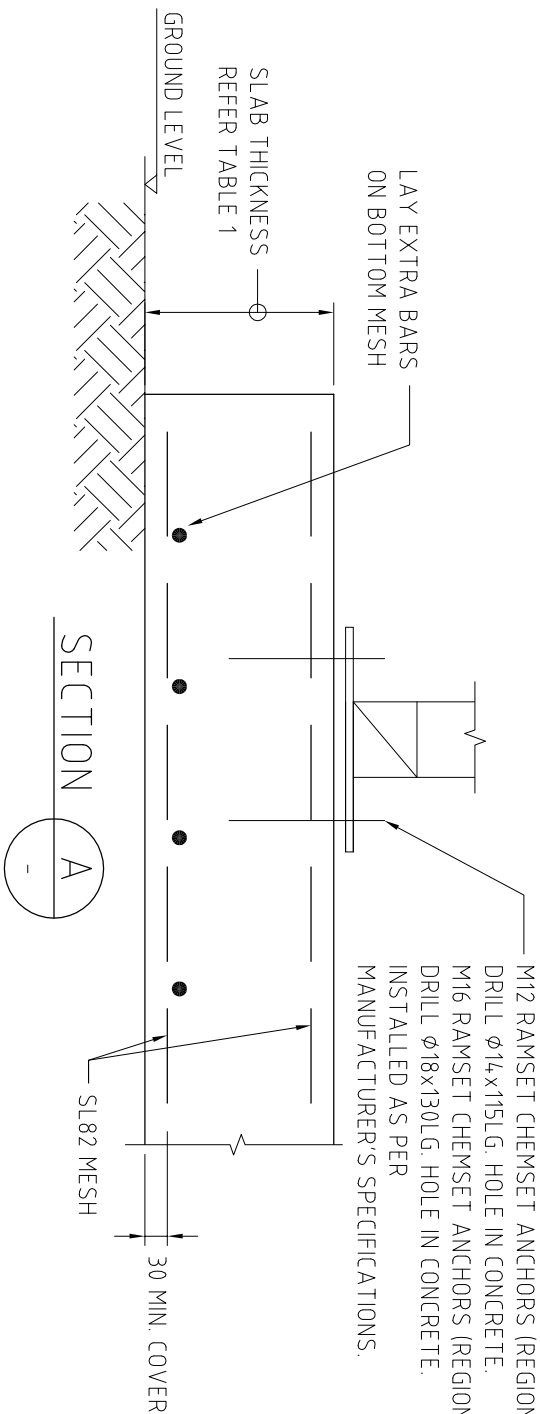


PLAN
1:50

TOTAL 4 x 2400x6000 SHEETS OF SL82 MESH REQUIRED



NOTES:

- ALL CONCRETE TO ASS3600.
- FORMWORK TO AS3610.
- REINFORCEMENT:
 - N - HIGH STRENGTH DEFORMED BARS GRADE 500 TO AS4671.
 - SL - WELDED MESH TO AS4671.
 DIMENSIONS ARE NOT TO BE ALTERED WITHOUT ENGINEERS APPROVAL.
- MINIMUM SOIL REQUIREMENTS:
 - MEDIUM DENSE SAND
 - MIN. 6 BLOWS/300mm WITH PERTH PENETROMETER or
 - 12mm REINFORCING BAR CAN NOT BE PUSHED BY HAND 300mm INTO SAND or
 - HARD SHOVELLING
- FIRM CLAY
 - Cu > 25kPa
 - IMPRESSION BY THUMB WITH MODERATE EFFORT
 - MOULDED BY STRONG FINGER PRESSURE
- CONCRETE SPECIFICATION:
 - MINIMUM STRENGTH 25MPa
 - SLUMP 150 +/- 20mm
 - AGGREGATE 20mm
- MINIMUM COVER TO REINFORCEMENT 30mm.
- CONDUITS, PIPES ETC. MUST NOT BE PLACED IN CONCRETE COVER.
- REINFORCEMENT MESH LAP - 2 CROSS WIRES (SEE PLAN FOR SIZES).
- REINFORCEMENT FABRIC TO BE SUPPORTED AT 800mm CENTRES BOTH WAYS WITH CHAIRS.
- SLAB SURFACES TO HAVE A TROWEL FINISH.
- CONCRETE TO BE WATER CURED FOR 7 DAYS.
- SIDE FORMS MAY BE STRIPPED AFTER 3 DAYS.

TABLE 1

REGION (REFER MAP)	SLAB THICKNESS	EXTRA BARS	CONCRETE VOLUME
A	200	4-N20	5.6m ³
B	250	3-N20	7.0m ³
C	CONSULT DE ENGINEERS		
D	CONSULT DE ENGINEERS		

FOR REGION CLARIFICATION REFER DE ENGINEERS ON (08) 9274 2632.



ROAM MARINE		Z MARINE PTY LTD SUITE 34 CROSSWAYS, CNR ROKEBY & BAGOT RD SUBIACO WA 6008 AUSTRALIA TEL 9381 9091 zmarine@roam-marine.com	
DESIGN:	MH	DATE:	15.06.2016
APPR:		DATE:	
DRAWN:	RE	DATE:	15.06.2016
SCALE:	(A3) AS SHOWN	ROAM MARINE DWG. No.	ZJ1100-DWG-016
REV.	0	REV.	0

THIS DRAWING PRODUCED BY Z MARINE IS NOT SOLID BUT LENT. ITS CONTENTS MUST NOT BE COPIED, TRACED OR COMMUNICATED TO ANY PARTY WHATSOEVER WITHOUT WRITTEN CONSENT OF Z MARINE PTY, LTD.

ISSUED FOR CONSTRUCTION
REVISION
23.06.2016
BY DATE

REFERENCE DRAWINGS