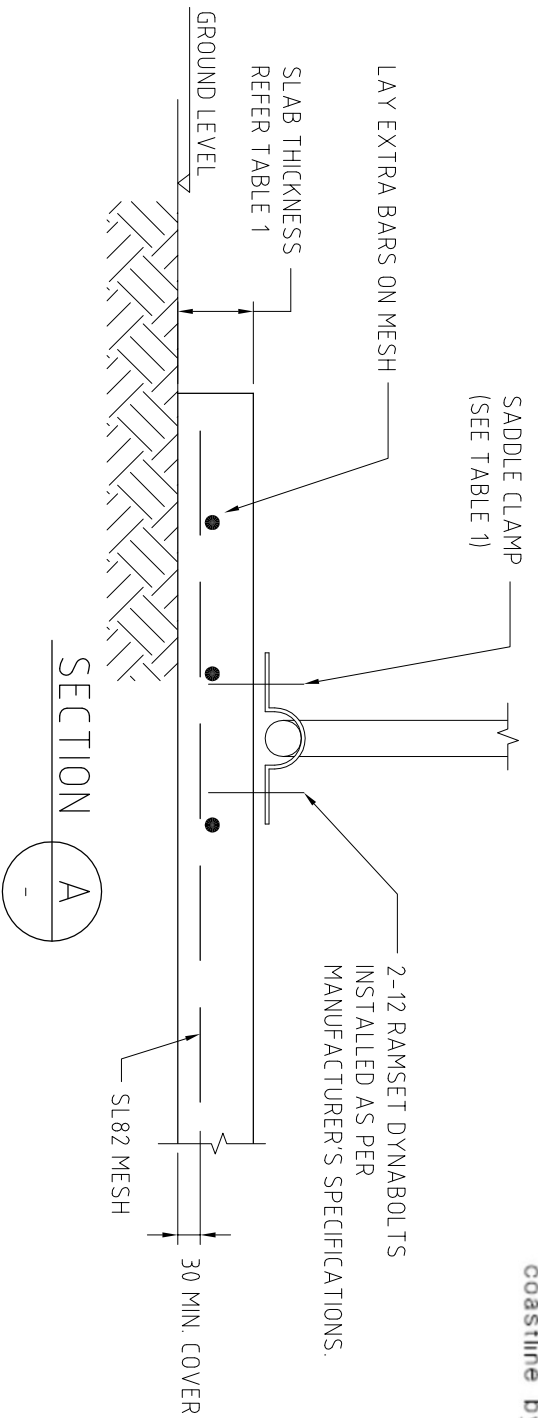


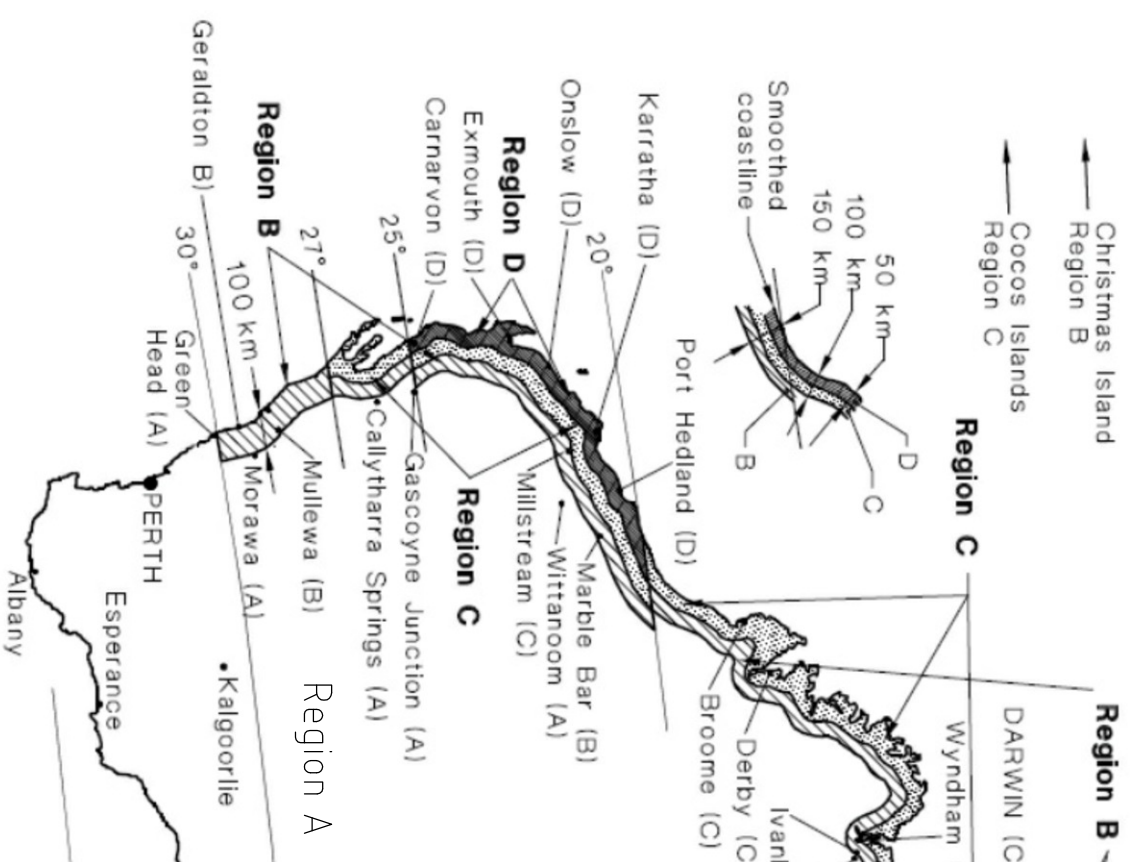
PLAN
1:50

- TOTAL 2 x 2400x3800 SHEETS OF SL82 MESH REQUIRED (LAP AT MIDDLE)



SECTION
A

Regions are marked with the letters A (A1 to A5), B, C and D. Coastal region boundaries are smooth lines set in from a smoothed coastline by 50, 100, 150 and 200 km.



NOTES:

1. ALL CONCRETE TO ASS3600.
2. FORMWORK TO AS3610.
3. REINFORCEMENT:
 - N - HIGH STRENGTH DEFORMED BARS GRADE 500 TO AS4671.
 - SL - WELDED MESH TO AS4671.
4. DIMENSIONS ARE NOT TO BE ALTERED WITHOUT ENGINEERS APPROVAL.
5. MINIMUM SOIL REQUIREMENTS:
 - MEDIUM DENSE SAND
 - MIN. 6 BLOWS/300mm WITH PERTH PENETROMETER or
 - 12mm REINFORCING BAR CAN NOT BE PUSHED BY HAND 300mm INTO SAND or
 - HARD SHOVELLING
 - FIRM CLAY
 - Cu > 25kPa
 - IMPRESSION BY THUMB WITH MODERATE EFFORT
 - MOULDED BY STRONG FINGER PRESSURE
6. CONCRETE SPECIFICATION:
 - MINIMUM STRENGTH 25MPa
 - SLUMP 150 +/- 20mm
 - AGGREGATE 20mm
7. MINIMUM COVER TO REINFORCEMENT 30mm.
8. CONDUITS, PIPES ETC. MUST NOT BE PLACED IN CONCRETE COVER.
9. REINFORCEMENT MESH LAP - 2 CROSS WIRES (SEE PLAN FOR SIZES).
10. REINFORCEMENT FABRIC TO BE SUPPORTED AT 800mm CENTRES BOTH WAYS WITH CHAIRS.
11. SLAB SURFACES TO HAVE A TROWEL FINISH.
12. CONCRETE TO BE WATER CURED FOR 7 DAYS.
13. SIDE FORMS MAY BE STRIPPED AFTER 3 DAYS.

TABLE 1

REGION (REFER MAP)	SLAB THICKNESS	EXTRA BARS	CONCRETE VOLUME	SADDLE CLAMPS
A	125	3-N16	1.9m ³	5
B	150	3-N16	2.3m ³	6
C	CONSULT DE ENGINEERS			
D	CONSULT DE ENGINEERS			

FOR REGION CLARIFICATION REFER DE ENGINEERS ON (08) 9274 2632.



ROAM MARINE

Z MARINE PTY LTD
SUITE 34 CROSSWAYS, CNR ROKEBY & BAGOT RD
SUBIACO WA 6008 AUSTRALIA
TEL 9381 9091 zmarine@roam-marine.com

DESIGN: MH
DATE: 15.06.2016

APPR: DATE:

DRAWN: RE DATE: 15.06.2016

DE ENGINEERS

SILO FOUNDATIONS
46m³ - Ø3.51m SILO FOOTING

SCALE: (A3)
AS SHOWN ROAM MARINE DWG. No.
ZJ1100-DWG-020

REV. 0

REFERENCE DRAWINGS

REV.	ISSUED FOR CONSTRUCTION	REVISION	BY	DATE
0	ISSUED FOR CONSTRUCTION	REVISION	RE	27.06.2016