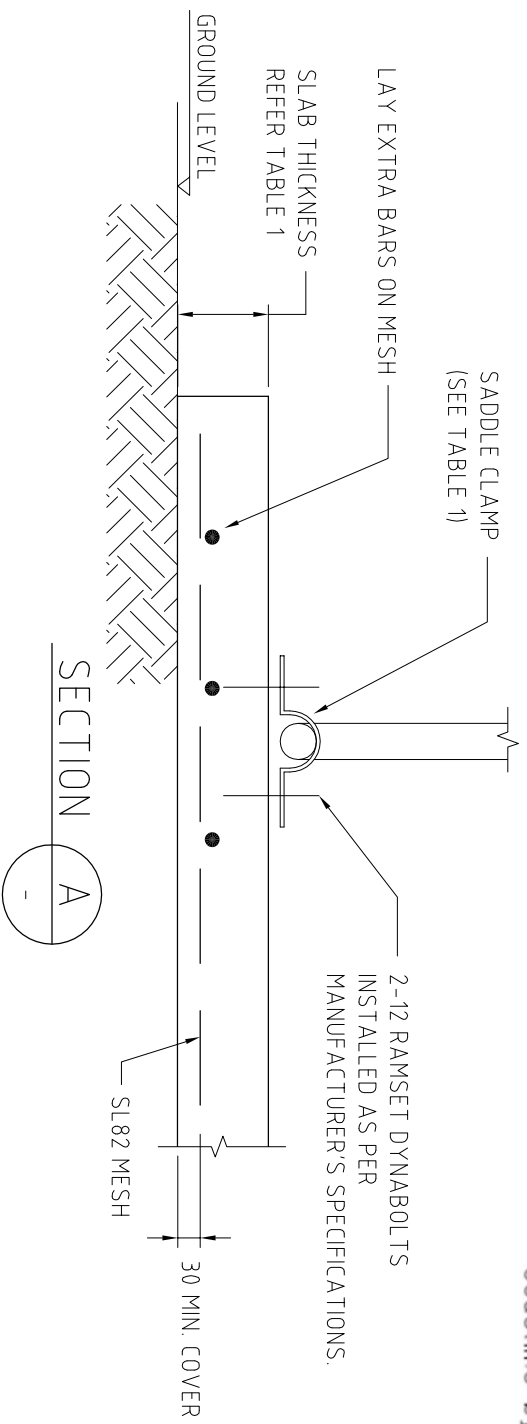


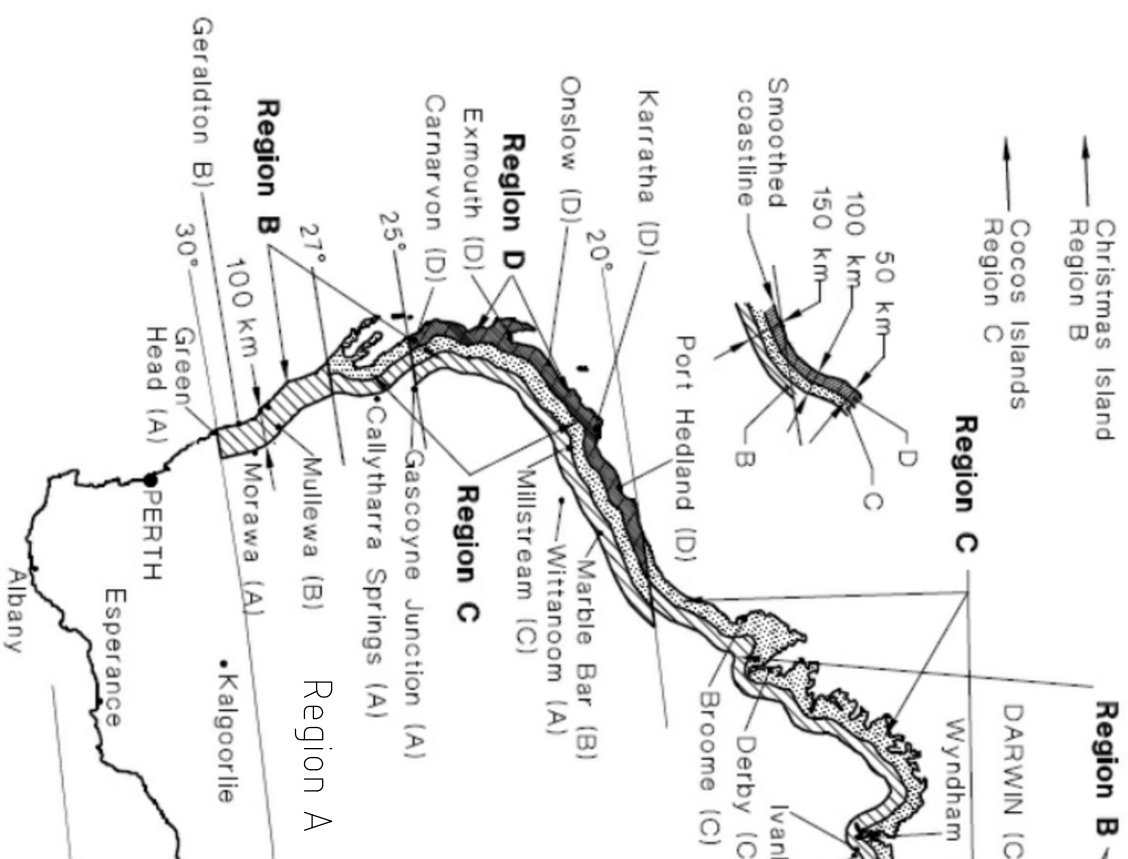
PLAN  
1:50

• TOTAL 2 x 2400x4000 SHEETS OF SL82 MESH REQUIRED (LAP AT MIDDLE)



SECTION  
A

Regions are marked with the letters A (A1 to A5), B, C and D. Coastal region boundaries are smooth lines set in from a smoothed coastline by 50, 100, 150 and 200 km.



- NOTES:**
- ALL CONCRETE TO ASS3600.
  - FORMWORK TO AS3610.
  - REINFORCEMENT:
    - N - HIGH STRENGTH DEFORMED BARS GRADE 500 TO AS4671.
    - SL - WELDED MESH TO AS4671.
 DIMENSIONS ARE NOT TO BE ALTERED WITHOUT ENGINEERS APPROVAL.
  - MINIMUM SOIL REQUIREMENTS:
    - MEDIUM DENSE SAND
      - MIN. 6 BLOWS/300mm WITH PERTH PENETROMETER or
      - 12mm REINFORCING BAR CAN NOT BE PUSHED BY HAND
      - 300mm INTO SAND or
      - HARD SHOVELLING
    - FIRM CLAY
      - Cu > 25kPa
      - IMPRESSION BY THUMB WITH MODERATE EFFORT
      - MOULDED BY STRONG FINGER PRESSURE
  - CONCRETE SPECIFICATION:
    - MINIMUM STRENGTH 25MPa
    - SLUMP 150 +/- 20mm
    - AGGREGATE 20mm
  - MINIMUM COVER TO REINFORCEMENT 30mm.
  - CONDUITS, PIPES ETC. MUST NOT BE PLACED IN CONCRETE COVER.
  - REINFORCEMENT MESH LAP - 2 CROSS WIRES (SEE PLAN FOR SIZES).
  - REINFORCEMENT FABRIC TO BE SUPPORTED AT 800mm CENTRES BOTH WAYS WITH CHAIRS.
  - SLAB SURFACES TO HAVE A TROWEL FINISH.
  - CONCRETE TO BE WATER CURED FOR 7 DAYS.
  - SIDE FORMS MAY BE STRIPPED AFTER 3 DAYS.

TABLE 1

REGION (REFER MAP)	SLAB THICKNESS	EXTRA BARS	CONCRETE VOLUME	SADDLE CLAMPS
A	125	3-N20	2.1m <sup>3</sup>	6
B	150	2-N20	2.5m <sup>3</sup>	8
C	CONSULT DE ENGINEERS			
D	CONSULT DE ENGINEERS			

FOR REGION CLARIFICATION REFER DE ENGINEERS ON (08) 9274 2632.



**ROAM MARINE**

Z MARINE PTY LTD  
SUITE 34 CROSSWAYS, CNR ROKEBY & BAGOT RD  
SUBIACO WA 6008 AUSTRALIA  
TEL 9381 9091 zmarine@roam-marine.com

DESIGN: MH  
DATE: 15.06.2016

APPR: DATE:

DRAWN: RE DATE: 15.06.2016

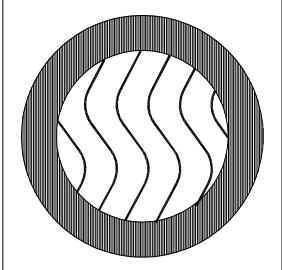
DE ENGINEERS  
SILO FOUNDATIONS

55m<sup>3</sup> - Ø3.8m SILO FOOTING

SCALE: (A3)  
AS SHOWN ROAM MARINE DWG. No. ZJ1100-DWG-011

REV.	REVISION	DATE
1	RE-ISSUED FOR CONSTRUCTION	24.06.2016
0	ISSUED FOR CONSTRUCTION	23.06.2016

REV.	REVISION	DATE
1	RE-ISSUED FOR CONSTRUCTION	24.06.2016
0	ISSUED FOR CONSTRUCTION	23.06.2016



THIS DRAWING PRODUCED BY Z MARINE IS NOT SOLID BUT LENT. ITS CONTENTS MUST NOT BE COPIED, TRACED OR COMMUNICATED TO ANY PARTY WHATSOEVER WITHOUT WRITTEN CONSENT OF Z MARINE PTY, LTD.

DRAWN: RE DATE: 15.06.2016

SCALE: (A3)  
AS SHOWN ROAM MARINE DWG. No. ZJ1100-DWG-011

