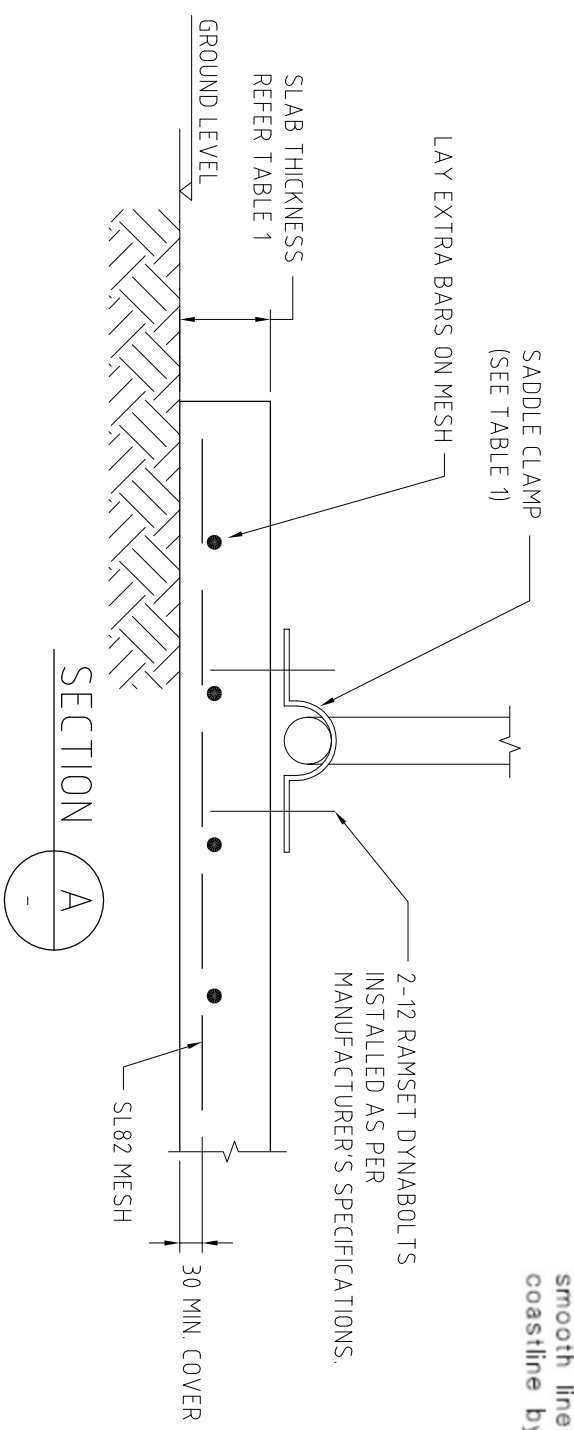
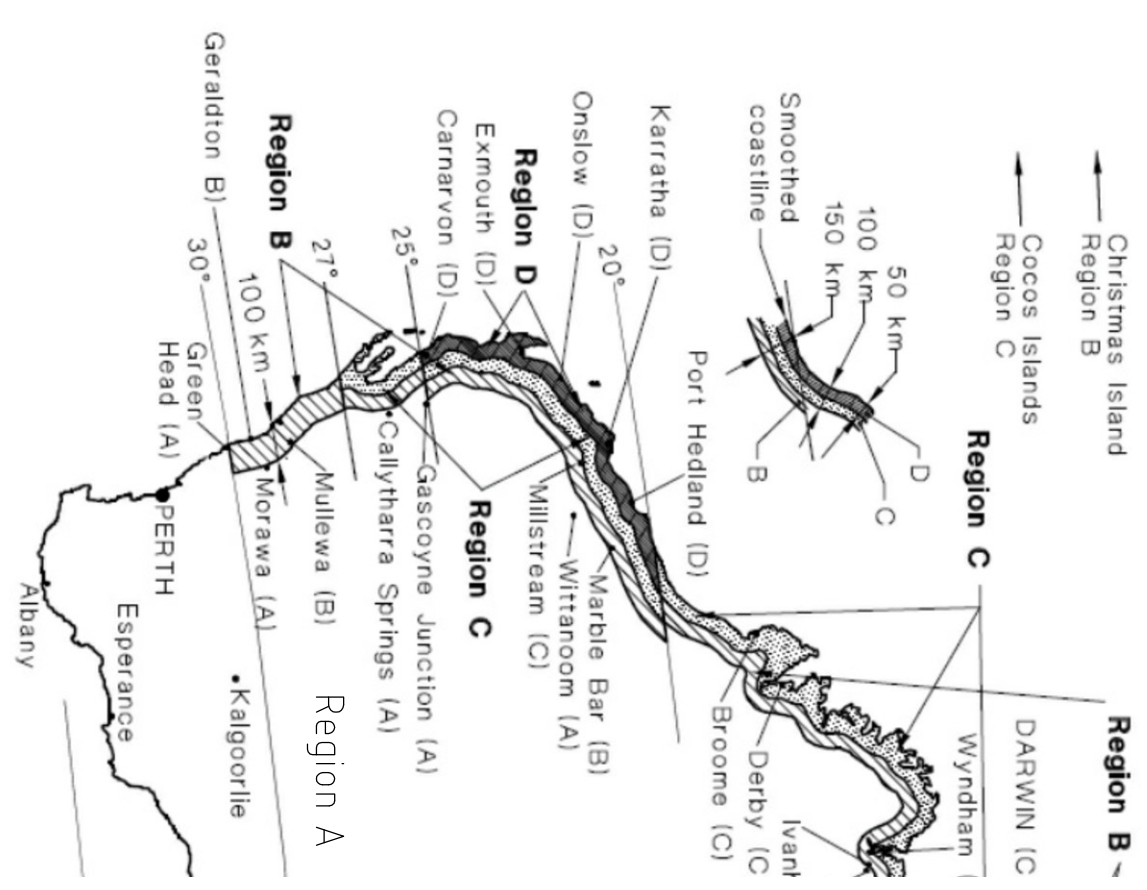


PLAN
1:50

• TOTAL 2 x 2400x4000 SHEETS OF SL82 MESH REQUIRED (LAP AT MIDDLE)



SECTION
A



Regions are marked with the letters A (A1 to A5), B, C and D. Coastal region boundaries are smooth lines set in from a smoothed coastline by 50, 100, 150 and 200 km.

NOTES:

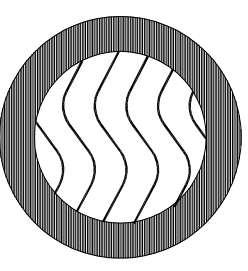
1. ALL CONCRETE TO ASS3600.
2. FORMWORK TO AS3610.
3. REINFORCEMENT:
 - N - HIGH STRENGTH DEFORMED BARS GRADE 500 TO AS4671.
 - SL - WELDED MESH TO AS4671.
4. DIMENSIONS ARE NOT TO BE ALTERED WITHOUT ENGINEERS APPROVAL.
5. MINIMUM SOIL REQUIREMENTS:
 - MEDIUM DENSE SAND
 - MIN. 6 BLOWS/300mm WITH PERTH PENETROMETER or
 - 12mm REINFORCING BAR CAN NOT BE PUSHED BY HAND
 - 300mm INTO SAND or
 - HARD SHOVELLING
 - FIRM CLAY
 - Cu > 25kPa
 - IMPRESSION BY THUMB WITH MODERATE EFFORT
 - MOULDED BY STRONG FINGER PRESSURE
6. CONCRETE SPECIFICATION:
 - MINIMUM STRENGTH 25MPa
 - SLUMP 150 +/- 20mm
 - AGGREGATE 20mm
7. MINIMUM COVER TO REINFORCEMENT 30mm.
8. CONDUITS, PIPES ETC. MUST NOT BE PLACED IN CONCRETE COVER.
9. REINFORCEMENT MESH LAP - 2 CROSS WIRES (SEE PLAN FOR SIZES).
10. REINFORCEMENT FABRIC TO BE SUPPORTED AT 800mm CENTRES BOTH WAYS WITH CHAIRS.
11. SLAB SURFACES TO HAVE A TROWEL FINISH.
12. CONCRETE TO BE WATER CURED FOR 7 DAYS.
13. SIDE FORMS MAY BE STRIPPED AFTER 3 DAYS.

TABLE 1

REGION (REFER MAP)	SLAB THICKNESS	EXTRA BARS	CONCRETE VOLUME	SADDLE CLAMPS
A	125	4-N20	2.6m ³	8
B	125	4-N20	2.6m ³	8
C	CONSULT DE ENGINEERS			
D	CONSULT DE ENGINEERS			

FOR REGION CLARIFICATION REFER DE ENGINEERS ON (08) 9274 2632.



		ROAM MARINE Z MARINE PTY LTD SUITE 34 CROSSWAYS, CNR ROKEBY & BAGOT RD SUBIACO WA 6008 AUSTRALIA TEL 9381 9091 zmarine@roam-marine.com	
DESIGN:	MH	DATE:	15.06.2016
APPR:		DATE:	
DRAWN:	RE	DATE:	15.06.2016
SCALE:	(A3) AS SHOWN	ROAM MARINE DWG. No.	ZJ1100-DWG-012
REV.		REV.	1
REFERENCE DRAWINGS	REV.	REVISION	BY DATE
	1	RE-ISSUED FOR CONSTRUCTION	RE 24.06.2016
	0	ISSUED FOR CONSTRUCTION	RE 23.06.2016