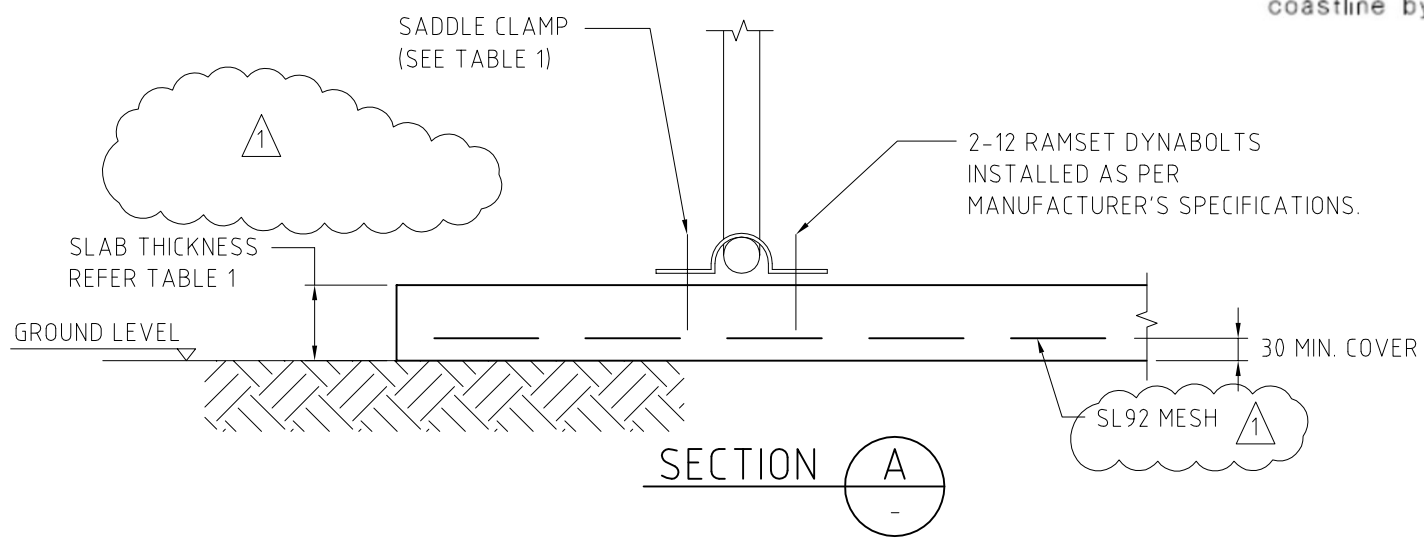
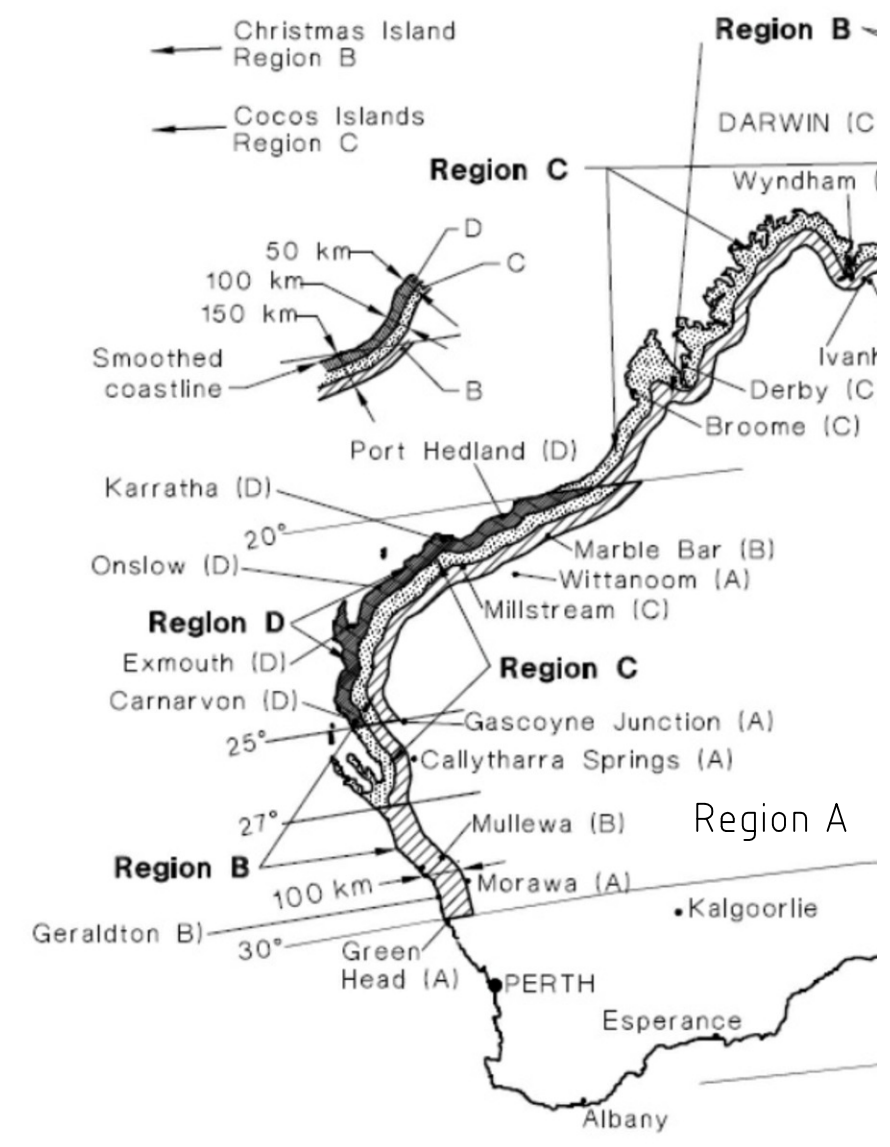


**PLAN**  
1:50

- TOTAL 2 x 2400x3800 SHEETS OF SL92 MESH REQUIRED (LAP AT MIDDLE)



**SECTION A**



Regions are marked with the letters A (A1 to A5), B, C and D. Coastal region boundaries are smooth lines set in from a smoothed coastline by 50, 100, 150 and 200 km.

**NOTES:**

- ALL CONCRETE TO AS3600.
- FORMWORK TO AS3610.
- REINFORCEMENT:
  - N - HIGH STRENGTH DEFORMED BARS GRADE 500 TO AS4671.
  - SL - WELDED MESH TO AS4671.
- DIMENSIONS ARE NOT TO BE ALTERED WITHOUT ENGINEERS APPROVAL.
- MINIMUM SOIL REQUIREMENTS:
  - MEDIUM DENSE SAND
    - MIN. 6 BLOWS/300mm WITH PERTH PENETROMETER or
    - 12mm REINFORCING BAR CAN NOT BE PUSHED BY HAND 300mm INTO SAND or
    - HARD SHOVELLING
  - FIRM CLAY
    - $C_u > 25kPa$
    - IMPRESSION BY THUMB WITH MODERATE EFFORT
    - MOULDED BY STRONG FINGER PRESSURE
- CONCRETE SPECIFICATION:
  - MINIMUM STRENGTH 25MPa
  - SLUMP 150+/-20mm
  - AGGREGATE 20mm
- MINIMUM COVER TO REINFORCEMENT 30mm.
- CONDUITS, PIPES ETC. MUST NOT BE PLACED IN CONCRETE COVER.
- REINFORCEMENT MESH LAP - 2 CROSS WIRES (SEE PLAN FOR SIZES).
- REINFORCEMENT FABRIC TO BE SUPPORTED AT 800mm CENTRES BOTH WAYS WITH CHAIRS.
- SLAB SURFACES TO HAVE A TROWEL FINISH.
- CONCRETE TO BE WATER CURED FOR 7 DAYS.
- SIDE FORMS MAY BE STRIPPED AFTER 3 DAYS.

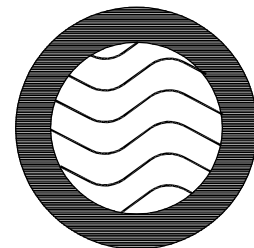
**TABLE 1**

REGION (REFER MAP)	SLAB THICKNESS	EXTRA BARS	CONCRETE VOLUME	SADDLE CLAMPS
A	175	-	2.7m <sup>3</sup>	5
B	175	-	2.7m <sup>3</sup>	6
C	CONSULT DE ENGINEERS			
D	CONSULT DE ENGINEERS			

FOR REGION CLARIFICATION REFER DE ENGINEERS ON (08) 9274 2632.



REFERENCE DRAWINGS	REV.	REVISION	BY	DATE
	1	FOOTING REVISED	SF	24.03.2021
	0	ISSUED FOR CONSTRUCTION	RE	27.06.2016

 <p><b>ROAM MARINE</b> Z MARINE PTY LTD SUITE 34 CROSSWAYS, CNR ROKEBY &amp; BAGOT RD SUBIACO WA 6008 AUSTRALIA TEL 9381 9091 zmarine@roam-marine.com</p> <p>THIS DRAWING PRODUCED BY Z MARINE IS NOT SOLD BUT LENT. ITS CONTENTS MUST NOT BE COPIED, TRACED OR COMMUNICATED TO ANY PARTY WHATSOEVER WITHOUT WRITTEN CONSENT OF Z MARINE PTY. LTD.</p>	DESIGN: MH	DATE: 15.06.2016	<b>DE ENGINEERS</b> SILO FOUNDATIONS 46m <sup>3</sup> - Ø3.51m SILO FOOTING	
	APPR:	DATE:		
	DRAWN: RE	DATE: 15.06.2016	SCALE: (A3) AS SHOWN	ROAM MARINE DWG. No. ZJ1100-DWG-020