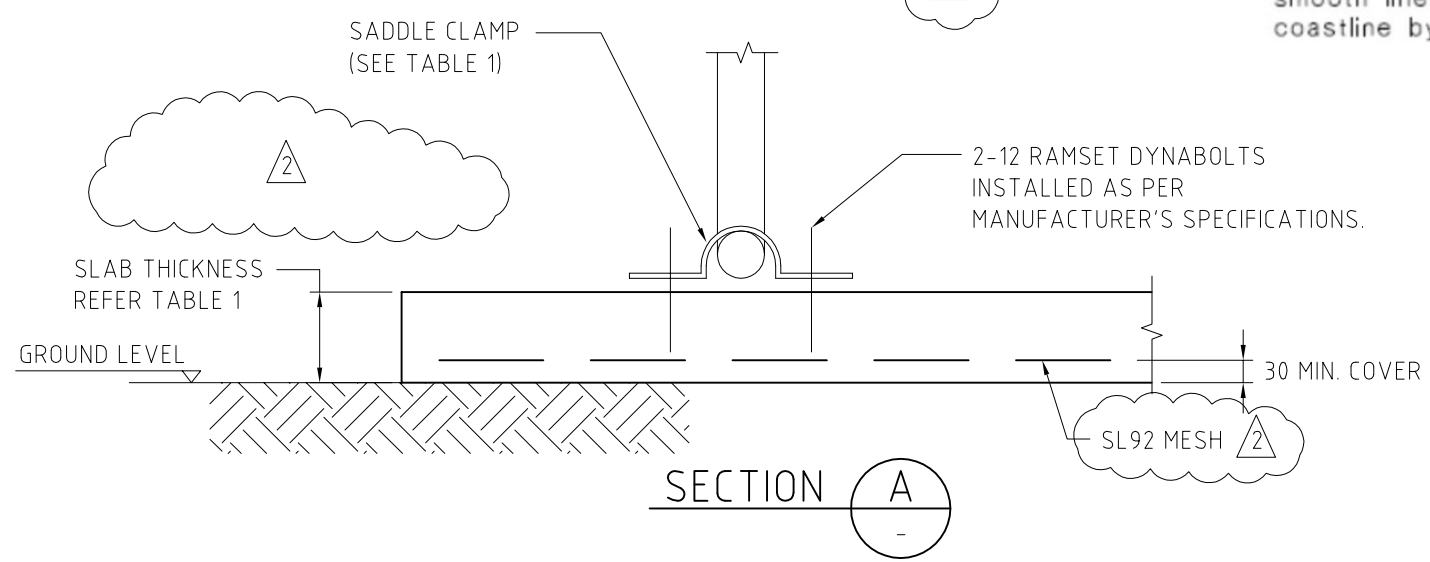


PLAN
1:50

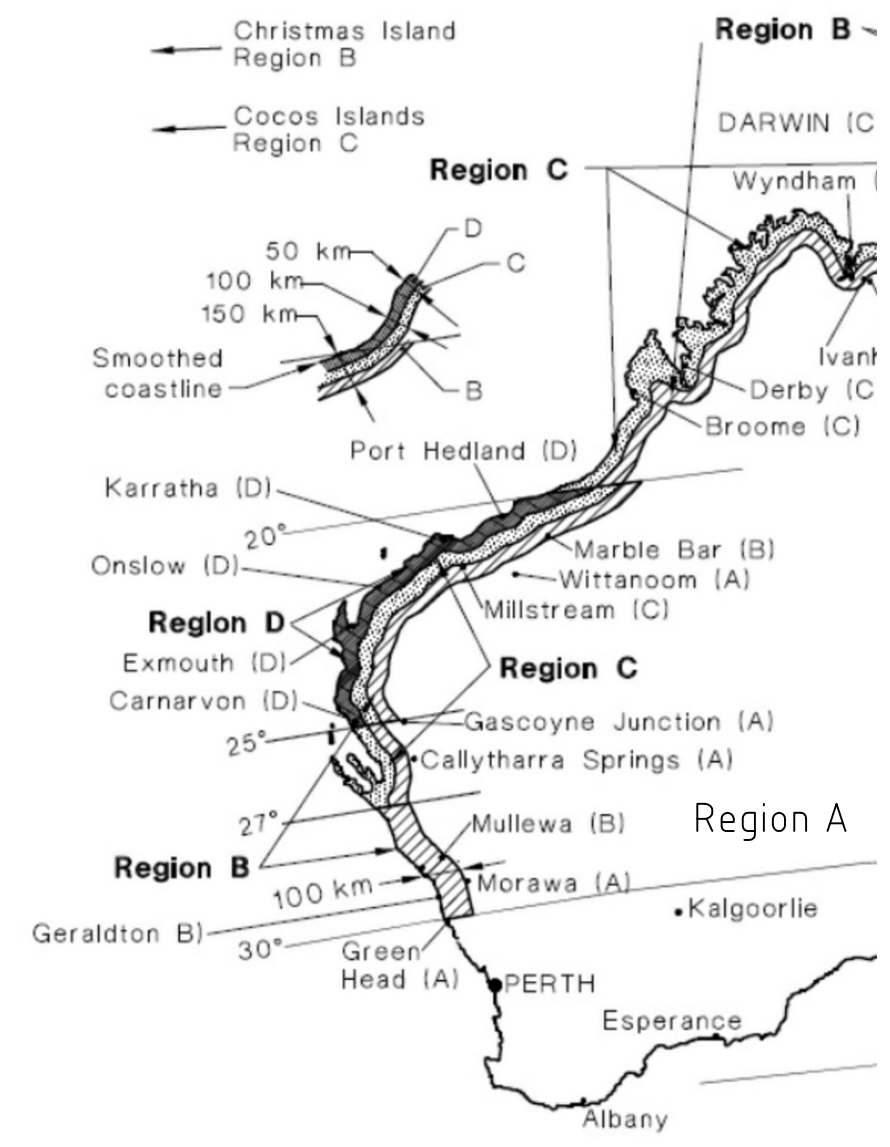
- TOTAL 2 x 2400x4000 SHEETS OF SL92 MESH REQUIRED (LAP AT MIDDLE)

SADDLE CLAMP. EQUALLY SPACED. REFER TABLE 1 FOR QUANTITY. POSITION SO NOT CLOSE TO EDGE OF SLAB



SECTION A

Regions are marked with the letters A (A1 to A5), B, C and D. Coastal region boundaries are smooth lines set in from a smoothed coastline by 50, 100, 150 and 200 km.



NOTES:

- ALL CONCRETE TO AS3600.
- FORMWORK TO AS3610.
- REINFORCEMENT:
 - N - HIGH STRENGTH DEFORMED BARS GRADE 500 TO AS4671.
 - SL - WELDED MESH TO AS4671.
- DIMENSIONS ARE NOT TO BE ALTERED WITHOUT ENGINEERS APPROVAL.
- MINIMUM SOIL REQUIREMENTS:
 - MEDIUM DENSE SAND
 - MIN. 6 BLOWS/300mm WITH PERTH PENETROMETER or
 - 12mm REINFORCING BAR CAN NOT BE PUSHED BY HAND 300mm INTO SAND or
 - HARD SHOVELLING
 - FIRM CLAY
 - $C_u > 25kPa$
 - IMPRESSION BY THUMB WITH MODERATE EFFORT
 - MOULDED BY STRONG FINGER PRESSURE
- CONCRETE SPECIFICATION:
 - MINIMUM STRENGTH 25MPa
 - SLUMP 150+/-20mm
 - AGGREGATE 20mm
- MINIMUM COVER TO REINFORCEMENT 30mm.
- CONDUITS, PIPES ETC. MUST NOT BE PLACED IN CONCRETE COVER.
- REINFORCEMENT MESH LAP - 2 CROSS WIRES (SEE PLAN FOR SIZES).
- REINFORCEMENT FABRIC TO BE SUPPORTED AT 800mm CENTRES BOTH WAYS WITH CHAIRS.
- SLAB SURFACES TO HAVE A TROWEL FINISH.
- CONCRETE TO BE WATER CURED FOR 7 DAYS.
- SIDE FORMS MAY BE STRIPPED AFTER 3 DAYS.

TABLE 1

REGION (REFER MAP)	SLAB THICKNESS	EXTRA BARS	CONCRETE VOLUME	SADDLE CLAMPS
A	200	-	4.2m ³	8
B	200	-	4.2m ³	8
C	CONSULT DE ENGINEERS			
D	CONSULT DE ENGINEERS			

FOR REGION CLARIFICATION REFER DE ENGINEERS ON (08) 9274 2632.



REFERENCE DRAWINGS	REV.	REVISION	BY	DATE
	2	FOOTING REVISED	SF	24.03.2021
	1	RE-ISSUED FOR CONSTRUCTION	RE	24.06.2016
	0	ISSUED FOR CONSTRUCTION	RE	23.06.2016

<p>ROAM MARINE Z MARINE PTY LTD SUITE 34 CROSSWAYS, CNR ROKEBY & BAGOT RD SUBIACO WA 6008 AUSTRALIA TEL 9381 9091 zmarine@roam-marine.com</p> <p>THIS DRAWING PRODUCED BY Z MARINE IS NOT SOLD BUT LENT. ITS CONTENTS MUST NOT BE COPIED, TRACED OR COMMUNICATED TO ANY PARTY WHATSOEVER WITHOUT WRITTEN CONSENT OF Z MARINE PTY. LTD.</p>	DESIGN: MH	DATE: 15.06.2016	DE ENGINEERS SILO FOUNDATIONS 70m ³ - ϕ 4.27m SILO FOOTING	
	APPR:	DATE:		
	DRAWN: RE	DATE: 15.06.2016	SCALE: (A3) AS SHOWN	ROAM MARINE DWG. No. ZJ1100-DWG-012