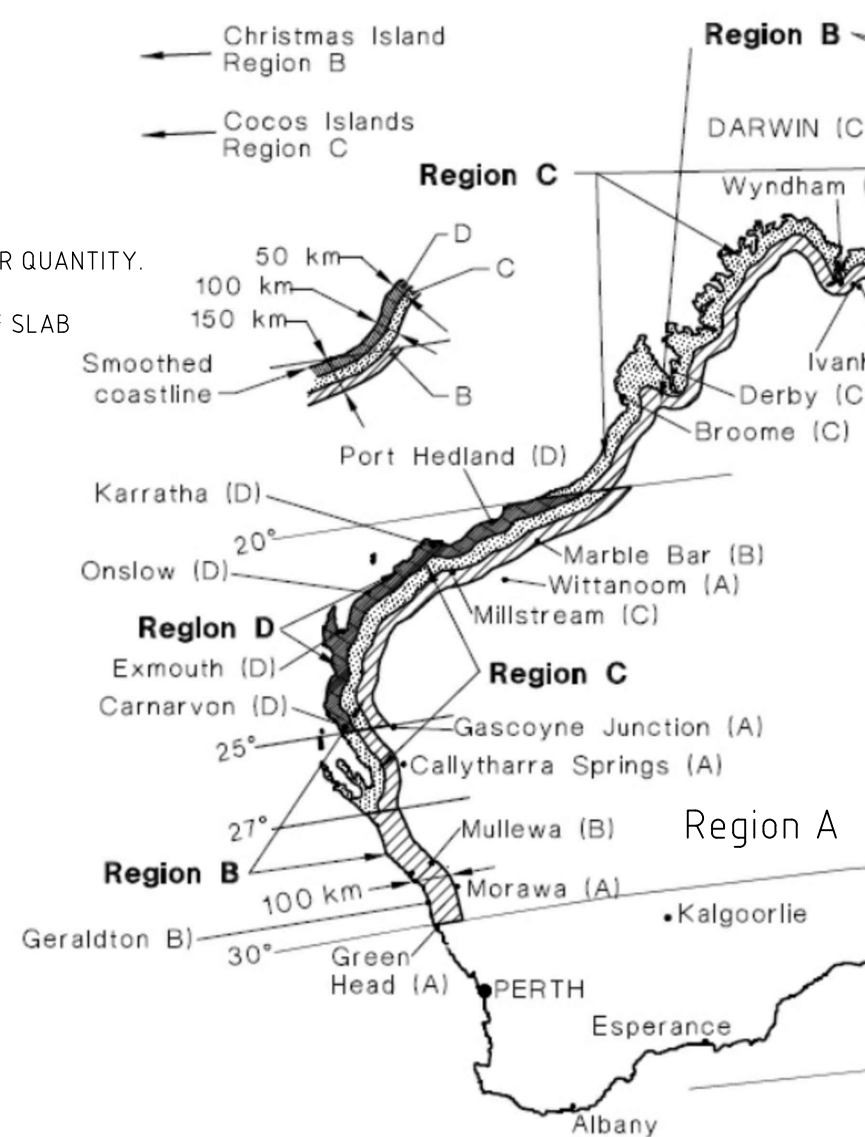


**PLAN**  
1:50

- TOTAL 2 x 2400x6000 SHEETS OF SL102 MESH REQUIRED



Regions are marked with the letters A (A1 to A5), B, C and D. Coastal region boundaries are smooth lines set in from a smoothed coastline by 50, 100, 150 and 200 km.

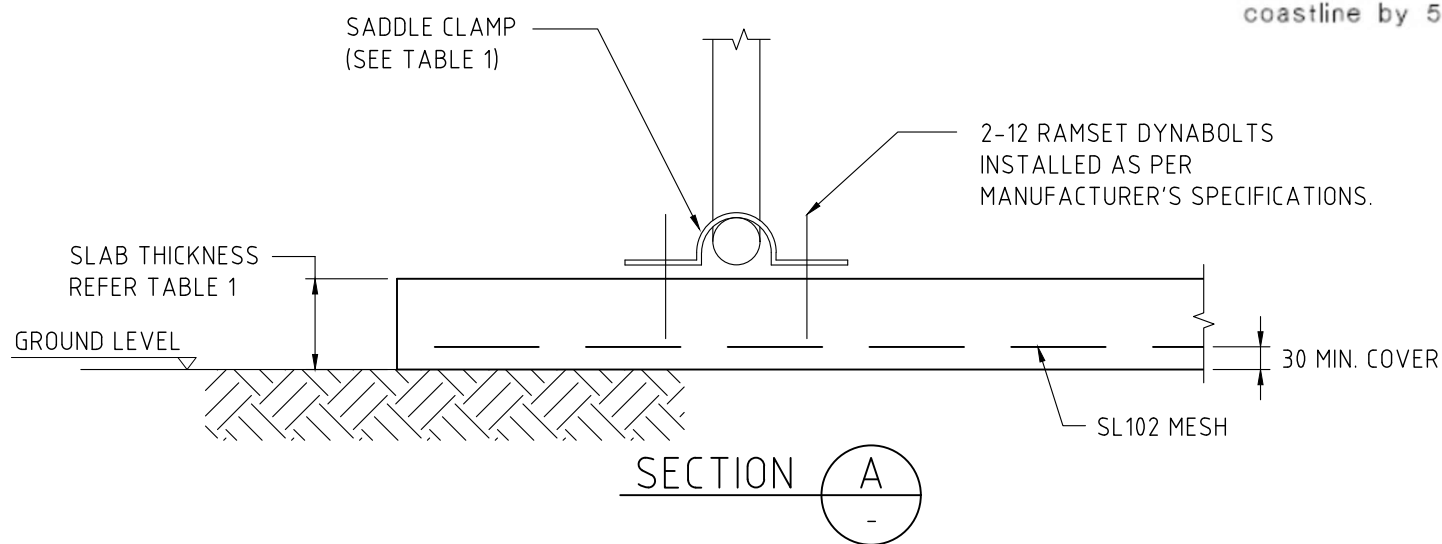
**NOTES:**

- ALL CONCRETE TO AS3600.
- FORMWORK TO AS3610.
- REINFORCEMENT:
  - N - HIGH STRENGTH DEFORMED BARS GRADE 500 TO AS4671.
  - SL - WELDED MESH TO AS4671.
- DIMENSIONS ARE NOT TO BE ALTERED WITHOUT ENGINEERS APPROVAL.
- MINIMUM SOIL REQUIREMENTS:
  - MEDIUM DENSE SAND**
    - MIN. 6 BLOWS/300mm WITH PERTH PENETROMETER or
    - 12mm REINFORCING BAR CAN NOT BE PUSHED BY HAND 300mm INTO SAND or
    - HARD SHOVELLING
  - FIRM CLAY**
    - $C_u > 25kPa$
    - IMPRESSION BY THUMB WITH MODERATE EFFORT
    - MOULDED BY STRONG FINGER PRESSURE
- CONCRETE SPECIFICATION:
  - MINIMUM STRENGTH 25MPa
  - SLUMP 150+/-20mm
  - AGGREGATE 20mm
- MINIMUM COVER TO REINFORCEMENT 30mm.
- CONDUITS, PIPES ETC. MUST NOT BE PLACED IN CONCRETE COVER.
- REINFORCEMENT MESH LAP - 2 CROSS WIRES (SEE PLAN FOR SIZES).
- REINFORCEMENT FABRIC TO BE SUPPORTED AT 800mm CENTRES BOTH WAYS WITH CHAIRS.
- SLAB SURFACES TO HAVE A TROWEL FINISH.
- CONCRETE TO BE WATER CURED FOR 7 DAYS.
- SIDE FORMS MAY BE STRIPPED AFTER 3 DAYS.

**TABLE 1**

REGION (REFER MAP)	SLAB THICKNESS	EXTRA BARS	CONCRETE VOLUME	SADDLE CLAMPS
A	225	-	5.2m <sup>3</sup>	8
B	225	-	5.2m <sup>3</sup>	10
C	CONSULT DE ENGINEERS			
D	CONSULT DE ENGINEERS			

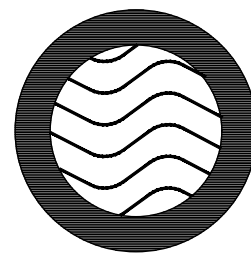
FOR REGION CLARIFICATION REFER DE ENGINEERS ON (08) 9274 2632.



**SECTION A**



REFERENCE DRAWINGS	REV.	REVISION	BY	DATE
	0	ISSUED FOR CONSTRUCTION	RE	30.03.2021



**ROAM MARINE**

Z MARINE PTY LTD  
SUITE 34 CROSSWAYS, CNR ROKEBY & BAGOT RD  
SUBIACO WA 6008 AUSTRALIA  
TEL 9381 9091 zmarine@roam-marine.com

THIS DRAWING PRODUCED BY Z MARINE IS NOT SOLD BUT LENT. ITS CONTENTS MUST NOT BE COPIED, TRACED OR COMMUNICATED TO ANY PARTY WHATSOEVER WITHOUT WRITTEN CONSENT OF Z MARINE PTY. LTD.

DESIGN:	MH	DATE:	30.03.2021
APPR:		DATE:	
DRAWN:	RE	DATE:	30.03.2021

DE ENGINEERS  
SILO FOUNDATIONS  
105m<sup>3</sup> -  $\phi$ 4.5m SILO FOOTING

SCALE:	(A3) AS SHOWN	ROAM MARINE DWG. No.	ZJ1100-DWG-025	REV.	0
--------	------------------	----------------------	----------------	------	---